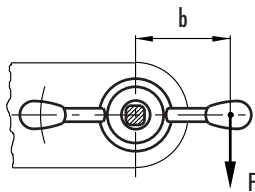


VBR.2

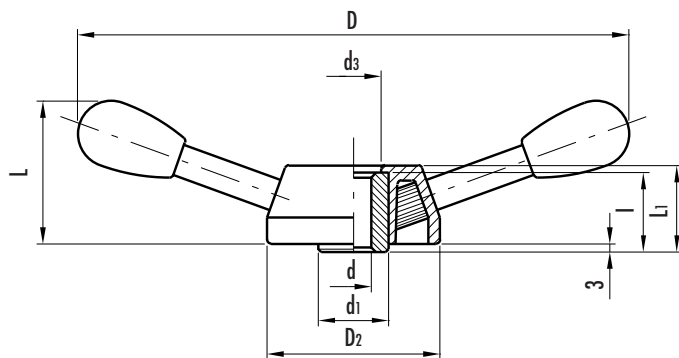
ELESA original design

Two-arm handwheels

- **Glass-fibre reinforced polyamide based (PA) technopolymer centre body.**
Resistant to solvents, oils, greases and other chemical agents.
- **Black** standard colour with glossy finish.
- Black oxide **steel boss** with uncovered front end and through hole.
- Matte chrome-plated **steel arms** complete with phenolic based (PF) Duroplast handles type I.222 (page 260).
- **Axial retaining washer** (on request) type GN 184 (page 452).



$$C [N \cdot m] = F [N] \cdot b [m]$$



See Technical Data for maximum applicable torque (C).

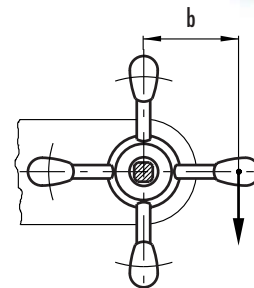
Standard elements		Main dimensions						Hole dimensions		C	Weight
Code	Description	D	D2	L	L1	d1	d3	d H9	I	[N·m]	grams
65801	VBR.2/200	200		60							600
65811	VBR.2/280	274		74							715
65821	VBR.2/320	312	86	80	42	35	34	10	38	195	780
65831	VBR.2/370	363		90							865

VBR.4

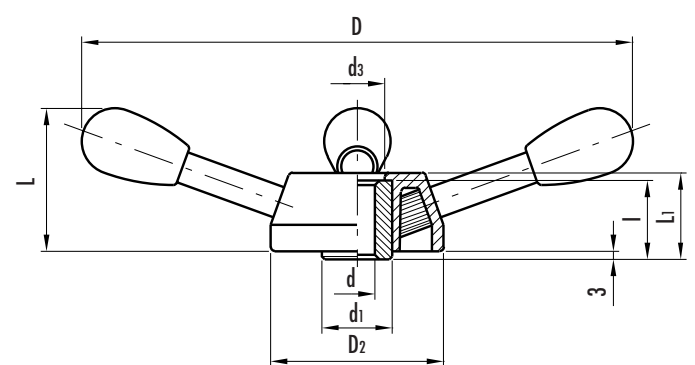
ELESA original design

Four-arm handwheels

- **Glass-fibre reinforced polyamide based (PA) technopolymer centre body.**
Resistant to solvents, oils, greases and other chemical agents.
- **Black** standard colour with glossy finish.
- Black oxide **steel boss** with uncovered front end and through hole.
- Matte chrome-plated **steel arms** complete with phenolic-based (PF) Duroplast handle type I.222 (page 260).
- **Axial retaining washer**, on request, type GN 184 (page 452).



$$C [N \cdot m] = F [N] \cdot b [m]$$



See Technical Data for maximum applicable torque (C).

Standard elements		Main dimensions						Hole dimensions		C	Weight
Code	Description	D	D2	L	L1	d1	d3	d H9	I	[N·m]	grams
65901	VBR.4/200	200		60							780
65911	VBR.4/280	274		74							1030
65921	VBR.4/320	312	86	80	42	35	34	10	38	195	1150
65931	VBR.4/370	363		90							1315